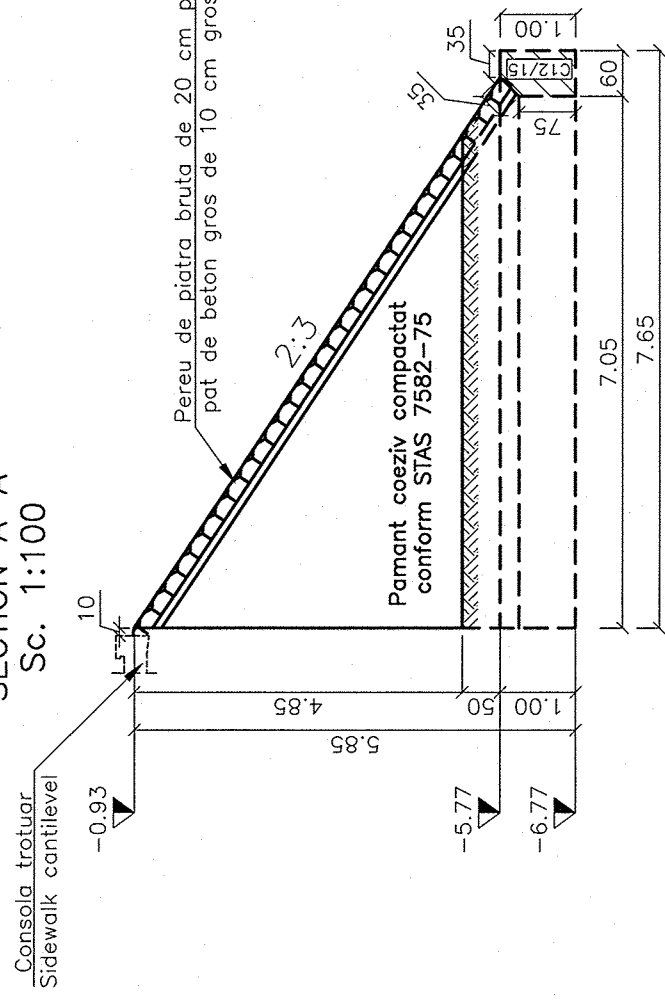


SFERT CON VIDELE/
CON QUARTER VIDELE

ΓC

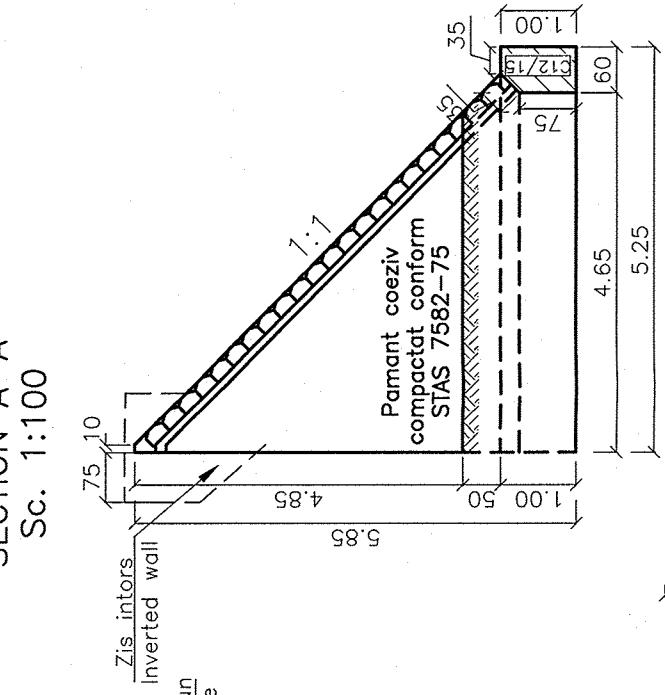
SECTIUNE A-A/
SECTION A-A
Sc. 1:100



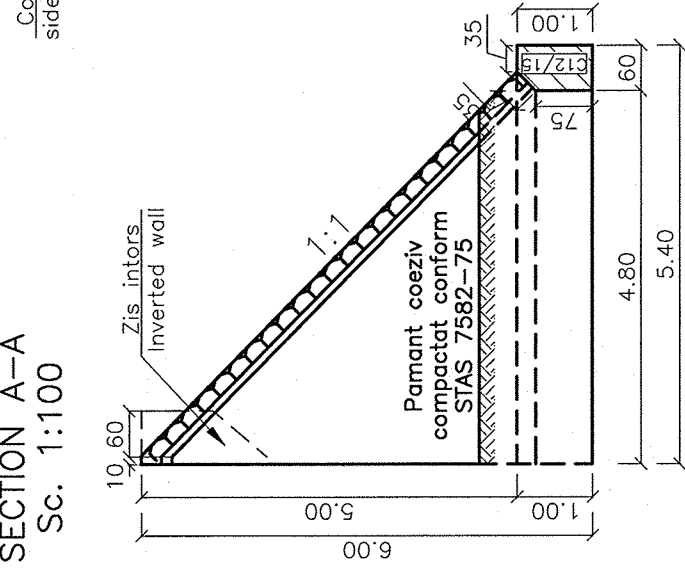
SFERT CON BUCURESTI/
CON QUARTER BUCURESTI

ΓC

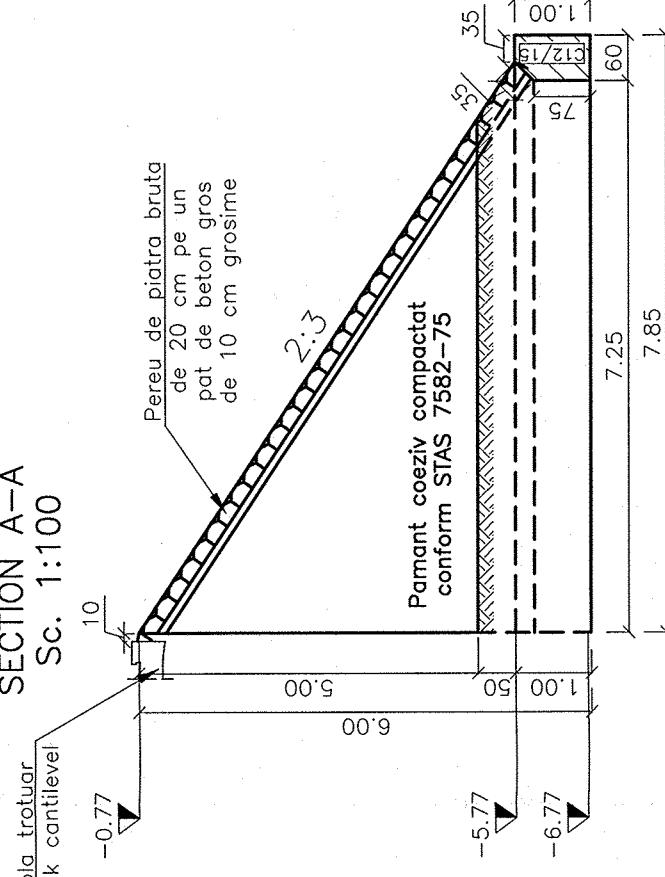
SECTIUNE A-A/
SECTION A-A
Sc. 1:100



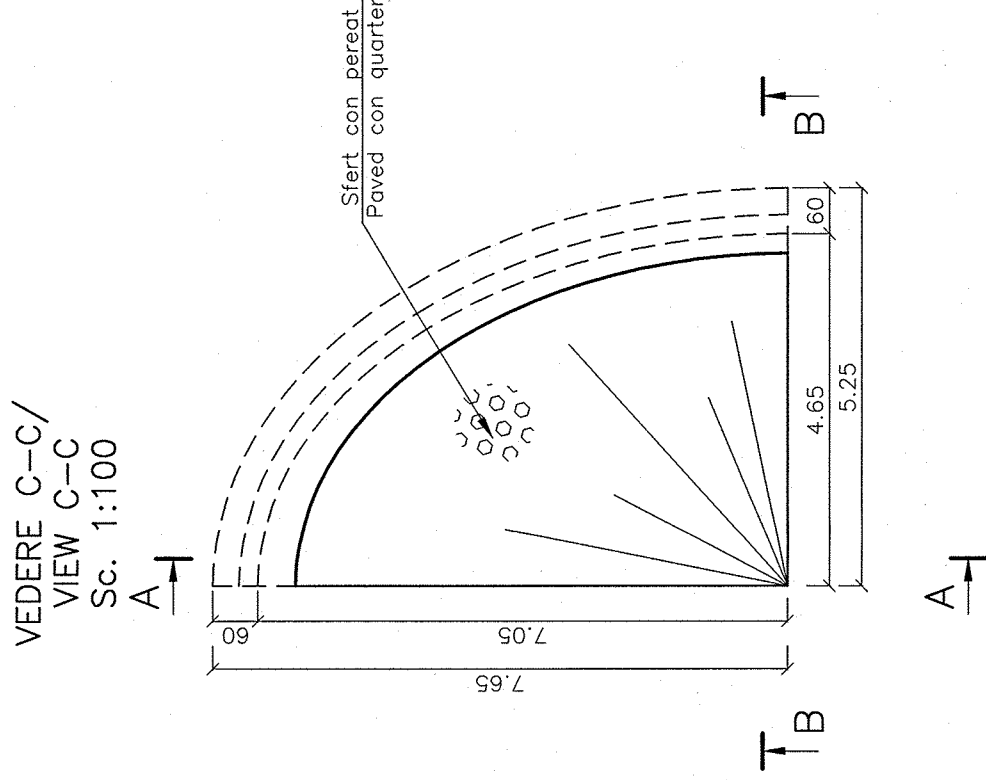
SECTIUNE A-A/
SECTION A-A
Sc. 1:100



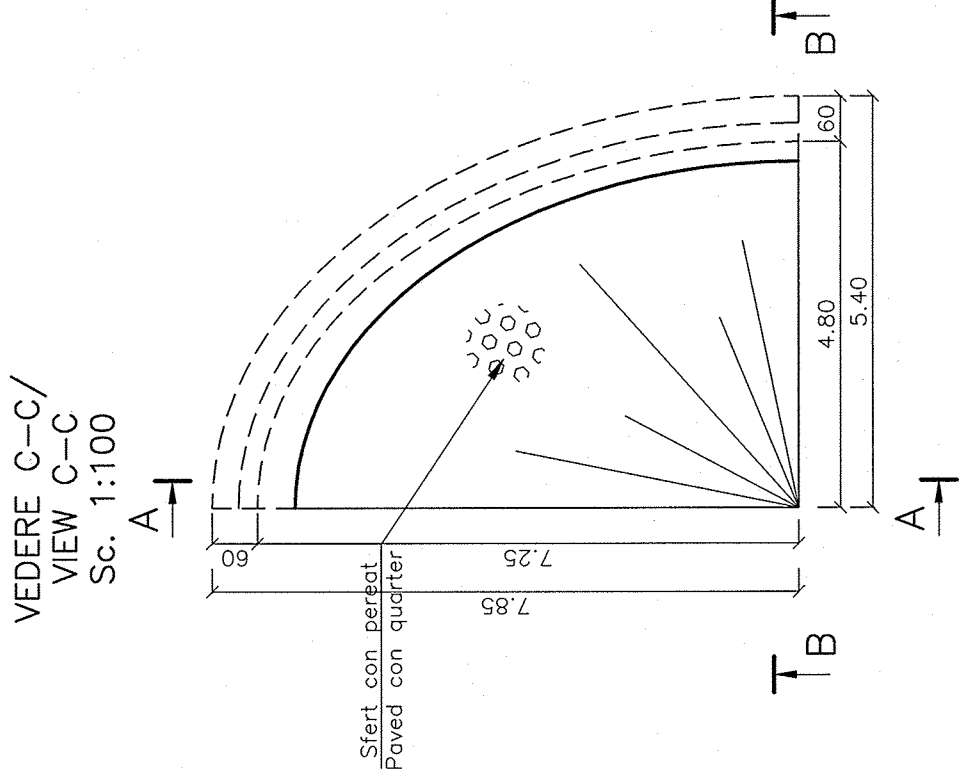
SECTIUNE A-A/
SECTION A-A
Sc. 1:100



VEDERE C-C/
VIEW C-C
Sc. 1:100



VEDERE C-C/
VIEW C-C
Sc. 1:100



BETON SIMPLU IN FSI FUNDATII SFERTURI DE CON C12/15; clasa de expunere XC4+XF3; A/C=0.55; agregat 0÷71mm; Ciment CEM IIA-S32.5; consistenta S2.

PLAIN CONCRETE IN FOUNDATION CON QUARTERS C12/15; exposure class XC4+XF3; A/C=0.55; aggregates 0÷71mm; Cement CEM IIA-S32.5; slump S2.

NOTA:
Cota ±0.000 (92.52) este la nivelul traversei N.S.T.

NOTE:
Cote ±0.000 (92.52) is to crossbar level U.L.S.

B				
A				
BENEFICIAR/BENEFICIARY:		Data Date		Modificare / Revision
ROMANIAN RAILWAY NATIONAL COMPANY		AUTORITATEA DE IMPLEMENTARE/ IMPLEMENTUNG AUTHORITY		
Ministerul Transporturilor Ministry of Transport		AUTORITATEA CONTRACTANTA/ CONTRACTING AUTHORITY		
Ministerul Economiei si Finantelor Ministry of Economy and Finance		CFOU		Contract/ Contract: 1303/2007
Ministerul Transporturilor Ministry of Transport		UNIUNEA EUROPEANA EUROPEAN UNION		Faza / Phase: PTH/DE PT/DB
Ministerul Transporturilor Ministry of Transport		POS Transport 2007-2013		
PORTOFOLIUL DE PROIECTE PHARE CES 2005 / PHARE CES 2005 PROJECTS PORTFOLIO				
LOT 1				
Asistenta tehnica pentru pregatirea unor lucrari de reabilitare pentru tuneluri si poduri de cale ferata Technical assistance for preparing rehabilitation works required by railway tunnels and bridges				
Denumire desen / Drawing Title: Secusua RCF/Railway district BUCURESTI/Line of Railway line Bucurest-Vidra				
Nr. / No. Cod desen / Drawing Code: PD 4 17				
Intocmit / Design		Verificat / Checked		Set echipa / Team leader
Ing. Coteanu Cosmin		Ing. Ioan Dachin		Ing. Stelian Vara-Oros
Scara / Scale: 1:100		Data / Date: 05.2009		